

## OC-V Rate of rise heat detector

**OC-V** is a punctual conventional static and rate of rise heat detector, certified in respect of European Product standard EN 54-5.

It is endowed with agreement CE mark according to ZA directive enclosure "The Construction Products" 89/106/CEE.

**OC-V** detector is compliant to European directive 2002/95/CE, concerning the use of dangerous substances inside electrical products, in particular about the use of lead.

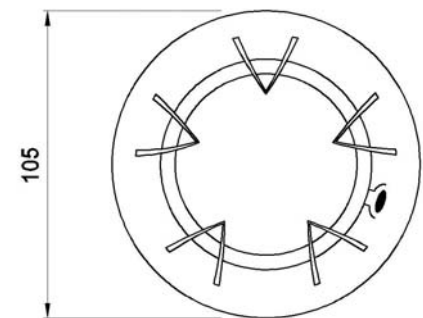
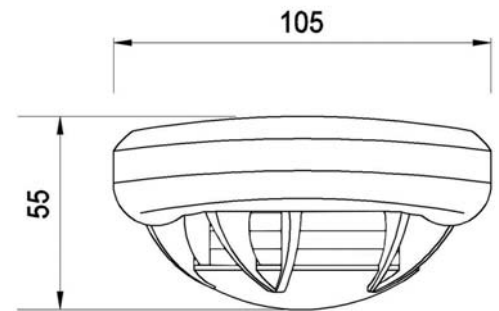
**OC-V** static heat detector analyses the resistance of a thermosensible device (NTC) due to the ambience temperature variations.

**OC-V** rate of rise heat detector analyses the variation of temperature in time.

This feature is indicated when the ambience temperature is  $< 10^{\circ}\text{C}$

**OC-V** is connected to detection panel by the **EO** base.

**OC-V**      $T = 60^{\circ}\text{C} \pm 5^{\circ}\text{C}$  (class A1S - EN54-5)  
 $\Delta T > 9^{\circ}\text{C}/\text{min}$



### TECHNICAL CHARACTERISTICS

Power Supply:	15 ÷ 27 Vdc
Standby Consumption:	20 ÷ 30 $\mu\text{A}$
Alarm Consumption:	32 mA $\pm$ 2 mA @ 20 Vdc
Cable:	2x0.8 mm STP
Dimensions ( $\varnothing$ xH):	105 x 55 mm
Application Temp.:	-10 $^{\circ}\text{C}$ ÷ +60 $^{\circ}\text{C}$
IP Protection:	IP32
Material:	ABS
Colour:	White RAL 9016
Weight:	130 g
Standard:	EN 54-5
CE Certificate:	0333 CPD 075 018